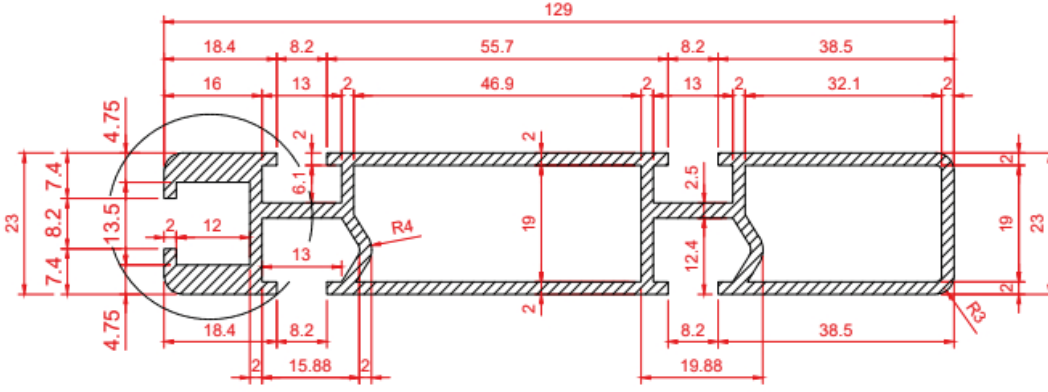
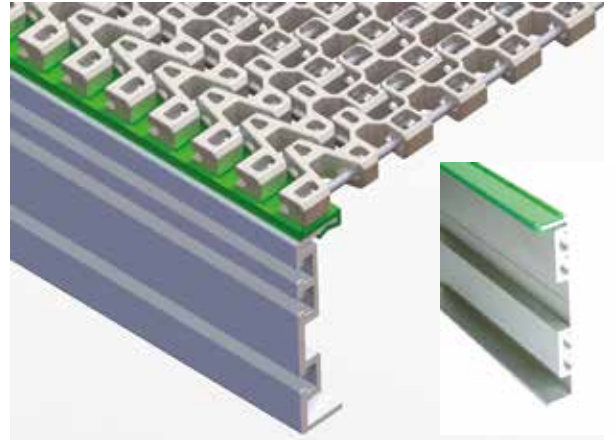
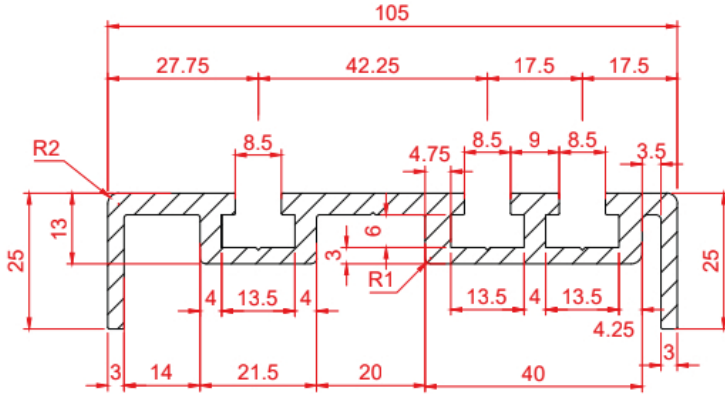


**23 x 129 KONVEYÖR YAN ŞASE ALÜMİNYUM PROFİL (ELOKSALLI)**



Stok Kod Stock Code		Kesit Çevresi Section Surroundings (mm)	Atalet Momenti	Mukavemet Momenti	Alan Area mm <sup>2</sup>	Kg/m	L (m)
765 023 129	AL	696	*Ix=22,018 c m <sup>4</sup> Iy=104,556 cm <sup>4</sup>	**Wx=9,68 cm <sup>3</sup> Wy=19,125 cm <sup>3</sup>	791,72	2,253	6

**25 x 105 KONVEYÖR YAN ŞASE ALÜMİNYUM PROFİL ELOKSALLI**



Stok Kod Stock Code		Kesit Çevresi Section Surroundings (mm)	Atalet Momenti	Mukavemet Momenti	Alan Area mm <sup>2</sup>	Kg/m	L (m)
765 025 105	AL	428	*Ix=2,42 c m <sup>4</sup> Iy=87,133 cm <sup>4</sup>	**Wx=0,133 cm <sup>3</sup> Wy=1,6 cm <sup>3</sup>	750,61	2,136	6