

**630 GALVANİZ SIVAMA ÇELİK TABANLI SABİT PABUÇ**

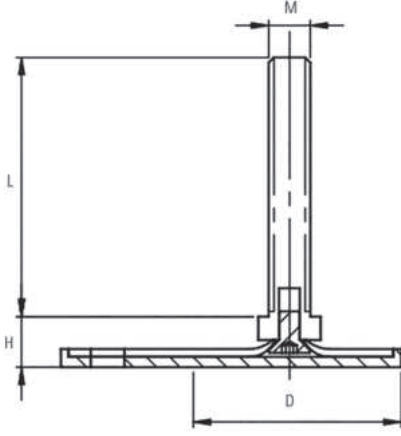
**STAINLESS STEEL FOOT PLATE-SPINDLE FIXED FEET**


Taban/Base: Çinko Kaplama Metal/Metal Zinc Plated Steel

ZN

Saplama/Spindle: Çinko Kaplama Metal/Metal Zinc Plated Steel

ZN



Stok Kod Stock Code	Malzeme Material	A	B	C	FM N (Newton)	
630 801 210	Galvaniz Galvanized	80	M12	100	40	13000
630 801 610		80	M16	100	40	14000
630 802 015		80	M20	150	40	16000

**635 PASLANMAZ SIVAMA ÇELİK TABANLI SABİT PABUÇ**

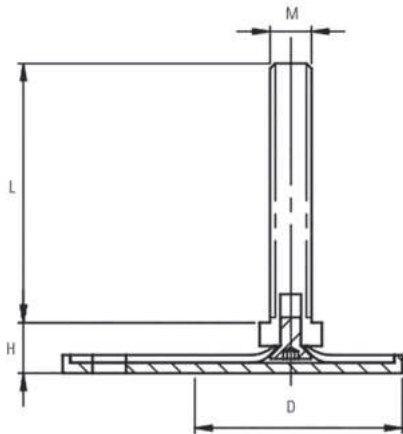
**STAINLESS STEEL FOOT PLATE-SPINDLE FIXED FEET**


Taban/Base: AISI 304 (Inox) Paslanmaz Çelik/AISI 304 Stainless Steel

SS

Saplama/Spindle: AISI 304 (Inox) Paslanmaz Çelik/AISI 304 Stainless Steel

SS



Stok Kod Stock Code	Malzeme Material	A	B	C	FM N (Newton)	
635 801 210	Paslanmaz Stainless Steel	80	M12	100	40	13000
635 801 610		80	M16	100	40	14000
635 802 015		80	M20	150	40	16000