

620 GALVANİZ SIVAMA ÇELİK TABANLI SABİT PABUÇ


STAINLESS STEEL FOOT PLATE-SPINDLE FIXED FEET

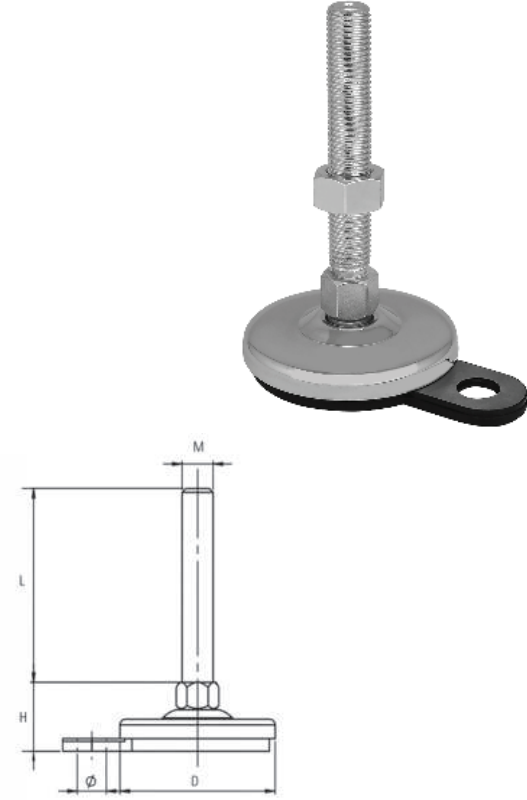
Taban/Base: Galvaniz / Galvanized

SS

Saplama/Spindle: Galvaniz / Galvanized

ZN

Stok Kod Stock Code	Malzeme Material	A	B	C	FM N (Newton)	
620 801 210	Galvaniz Galvanized	80	M12	100	40	13000
620 801 215		80	M12	150	40	13000
620 801 220		80	M12	200	40	13000
620 801 610		80	M16	100	40	14000
620 801 615		80	M16	150	40	14000
620 801 620		80	M16	200	40	14000
620 802 010		80	M20	100	40	16000
620 802 015		80	M20	150	40	16000
620 802 020		80	M20	200	40	16000



625 PASLANMAZ SIVAMA ÇELİK TABANLI SABİT PABUÇ


STAINLESS STEEL FOOT PLATE-SPINDLE FIXED FEET

Taban/Base: AISI 304 (Inox) Paslanmaz Çelik/AISI 304 Stainless Steel

SS

Saplama/Spindle: AISI 304 (Inox) Paslanmaz Çelik/AISI 304 Stainless Steel

SS

Stok Kod Stock Code	Malzeme Material	A	B	C	FM N (Newton)	
625 801 210	Paslanmaz Stainless Steel	80	M12	100	40	13000
625 801 215		80	M12	150	40	13000
625 801 220		80	M12	200	40	13000
625 801 610		80	M16	100	40	14000
625 801 615		80	M16	150	40	14000
625 801 620		80	M16	200	40	14000
625 802 010		80	M20	100	40	16000
625 802 015		80	M20	150	40	16000
625 802 020		80	M20	200	40	16000

