

610 GALVANİZ SIVAMA ÇELİK TABANLI SABİT PABUÇ

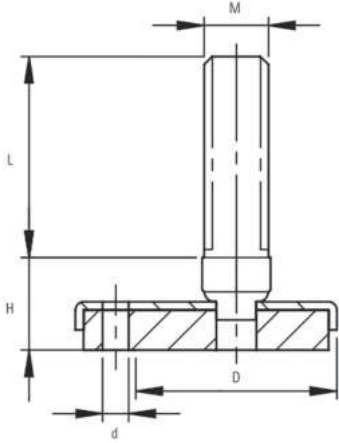
METAL ZINC FOOT PLATE-SPINDLE FIXED FEET


Taban/Base: Çinko Kaplama Metal/Metal Zinc Plated Steel

ZN

Saplama/Spindle: Çinko Kaplama Metal/Metal Zinc Plated Steel

ZN



Stok Kod Stock Code	Malzeme Material	A	B	C	FM N (Newton)	
610 401 210	Galvaniz Galvanized	40	M12	100	7000	50

615 PASLANMAZ SIVAMA ÇELİK TABANLI SABİT PABUÇ

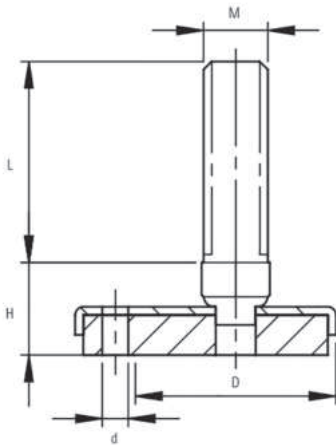
STAINLESS STEEL FOOT PLATE-SPINDLE FIXED FEET


Taban/Base: AISI 304 (Inox) Paslanmaz Çelik/AISI 304 Stainless Steel

SS

Saplama/Spindle: AISI 304 (Inox) Paslanmaz Çelik/AISI 304 Stainless Steel

SS



Stok Kod Stock Code	Malzeme Material	A	B	C	FM N (Newton)	
615 401 210	Paslanmaz Stainless Steel	40	M12	100	7000	50