

**502 ÇİNKO KAPLAMALI AĞIR TİP SABİT PABUÇLAR**


HARD TYPE ARTICULATED FEET (WITH SNAP RING)

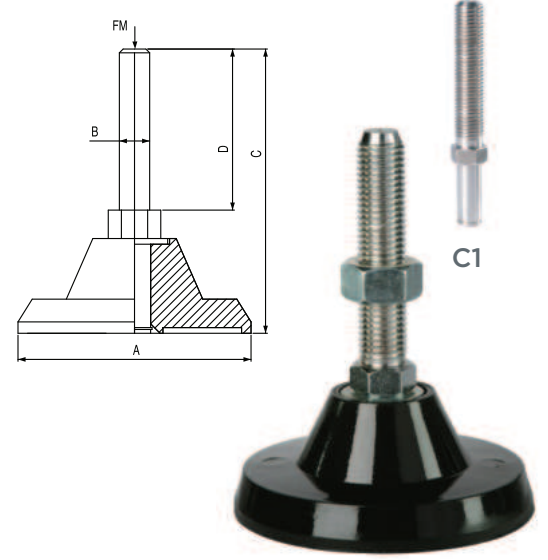
Malzeme/Material: Güçlendirilmiş Polyamid/Reinforced Polyamide

PA

Saplama/Spindle: Çinko Kaplama/Metal Zinc Plated Steel

ZN

Stok Kod Stock Code	A	B	C	D	Kg	FM N (Newton)	
502 121 615	120	M16	174	157	0,460	35000	15
502 121 621	120	M16	224	217	0,540	35000	10
502 120 015	120	M20	174	157	0,545	35000	15
502 122 021	120	M20	224	210	0,645	35000	10
502 122 029	120	M20	314	310	0,835	35000	8
502 122 415	120	M24	174	157	0,670	35000	15
502 122 421	120	M24	224	210	0,800	35000	8
502 122 431	120	M24	314	310	1,050	35000	8



**530 AISI 304 (INOX) PASLANMAZ AĞIR TİP SABİT PABUÇLAR**


HARD TYPE ARTICULATED FEET (WITH SNAP RING)

Malzeme/Material: Güçlendirilmiş Polyamid/Reinforced Polyamide

PA

Saplama/Spindle: AISI 304 (Inox) Paslanmaz/AISI 304 Stainless Steel

SS

Stok Kod Stock Code	A	B	C	D	Kg	FM N (Newton)	
530 121 615	120	M16	157	174	0,46	35000	15
530 121 621	120	M16	217	224	0,54	35000	10
530 122 015	120	M20	157	174	0,545	35000	15
530 122 021	120	M20	210	224	0,645	35000	10
530 122 029	120	M20	280	314	0,835	35000	8
530 122 415	120	M24	157	174	0,67	35000	15
530 122 421	120	M24	210	224	0,8	35000	8
530 122 431	120	M24	310	314	1,05	35000	8

